

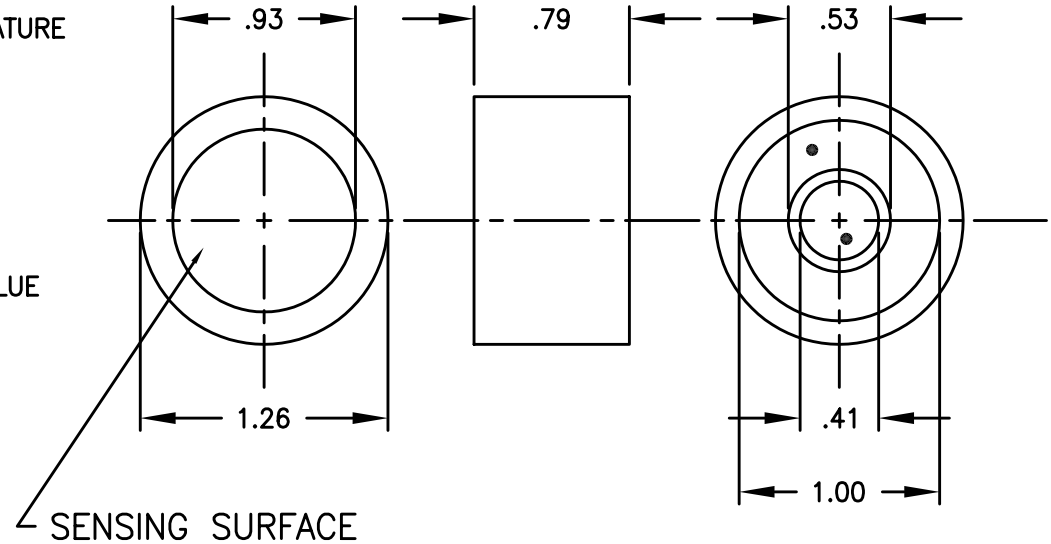
NOTES: UNLESS OTHERWISE SPECIFIED

1. LABEL A-10084 YELLOW (PANTANE YELLOW).
2. BACKPLATE POLARITY:  
 CENTER FOIL NEGATIVE (-)  
 OUTER FOIL POSITIVE (+)
3. ASSEMBLE PACKAGE IN TWO GAS BARRIER BAGS.

SPECIFICATIONS

1. OUTPUT - (462±170 MICROAMPS) IN AIR AT 25° C, SEA LEVEL.
2. RANGE - 0-25% OXYGEN (MAX), 0-1 PPM OXYGEN (MIN).
3. ACCURACY - WITHIN ±2% OF FULL SCALE AT CONSTANT TEMPERATURE AND PRESSURE.
4. RESPONSE TIME  
 - LESS THAN 15 SECONDS FOR 90% ON 0-10,000 PPM RANGE  
 - LESS THAN 30 SECONDS FOR 90% ON 0-1000 PPM RANGE  
 - LESS THAN 45 SECONDS FOR 90% ON 0-100 PPM RANGE  
 - LESS THAN 60 SECONDS FOR 90% ON 0-10 PPM RANGE  
 NOTE: WORST CASE, DEPENDS ON INSTRUMENT BEING USED.
5. OFFSET - LESS THAN OR EQUAL TO ±1 PPM (IN NITROGEN), VALUE DEPENDS ON THE BACKGROUND GAS AND INSTRUMENT BEING USED.
6. HUMIDITY - 0 TO 99% R.H. (NON-CONDENSING).
7. OPERATING TEMPERATURE RANGE - 0 TO 40°C (32 TO 104°F).
8. TEMPERATURE COEFFICIENT - (2.5%/°C) AT 25°C.
9. STORAGE TEMPERATURE - 0 TO 50°C (32 TO 122°F).
10. EXPECTED CELL LIFE - 8 MONTHS IN DRY GAS AT 25°C.
11. WEIGHT - 0.9 oz. (26 GRAMS).

REVISIONS				
REV	DESCRIPTION	DATE	APP.	REV. BY
0	GEN PER ECO# 96-666	4/16/97	M.G.	--
1	INC. ECO# 97-0144	11-18-97	M.G.	M.V.



Armatek Automation Inc.  
 5716 Coopers Ave, Unit 10  
 Mississauga, ON, L4Z 2E8

Ph: (905) 366-0143  
 Fx: (905) 366-0144  
 Em: sales@armatek.com

ITEM	QTY	PART NO.	DESCRIPTION
BILL OF MATERIAL			
DO NOT SCALE DWG		THIS DRAWING IS THE PROPERTY OF TELEDYNE ANALYTICAL INSTRUMENTS AND CONTAINS CONFIDENTIAL INFORMATION. IT IS NOT TO BE COPIED, REPRODUCED OR USED WITHOUT WRITTEN PERMISSION.	
TOLERANCE UNLESS OTHERWISE SPECIFIED: ANGULAR ±1/2°		Teledyne Analytical Instruments A business unit of Teledyne Electronic Technologies CITY OF INDUSTRY, CALIFORNIA 91748	
LINEAR $\begin{cases} .X & = \pm .1 \\ .XX & = \pm .02 \\ .XXX & = \pm .005 \end{cases}$			
SIGNATURES		DATE	TITLE
N/	DRFT: JOHN REYES	07/22/96	SPEC. CONTROL DWG. MICRO FUEL CELL CLASS B2C
P/	CHK:		
I/	APPR:		
F/	ENGR: M. GONZALEZ		
O/	S.O.:		
REFERENCE	CAD I.D. A66797-1	MATL. NOTED	DWG NO. A-66797
			SCALE NONE
			SIM NONE
			SHEET 1 OF 1
			REV 1