



DIFFERENTIAL PRESSURE TRANSMITTERS

SERIES FKC



- MICROPROCESSOR BASED
- ACCURACY 0,065%
- 4-20 mA AND HART® PROTOCOL
- SMALL AND LIGHT WEIGHT
- WETTED PARTS **AISI 316 L**
- LOCAL DISPLAY
- WIDE RANGE OF "CHEMICAL SEALS"
- INTRINSICALLY SAFE ATEX II 1G
Ex ia IIC T4



Description:

The FKCSeries differential pressure transmitter accurately measures differential pressure or gauge pressure and transmits a proportional 4 to 20mA signal.

The transmitter utilizes the unique micro-machined **capacitive silicon sensor** with state-of-the-art microprocessor technology to provide exceptional performance and functionality.

Zero and span are adjustable in wide ranges. A local indicator is available (option).

Available ranges and limits

Type: **FKC**: 4 to 20mA + HART protocol®

Service: Liquid, gas or vapour

Static pressure, span, and range limit

Type	Static pressure (bar)	Span limit (mbar)		Range limit (mbar)
		Min. (mbar)	Max. (mbar)	
FKC□ 22	-1 to +32	(1)	(60)	(+/- 60)
FKC□ 33	-1 to +140	(3,2)	(320)	(+/- 320)
FKC□ 35	-1 to +140	(13)	(1300)	(+/- 1300)
FKC□ 36	-1 to +140	(50)	(5000)	(+/- 5000)
FKC□ 38	-1 to +140	(1300)	(30000)	(+/- 20000)

HART® is a registered trademark of HART Communication Foundation

KLAY-INSTRUMENTS B.V.
www.klay.nl

Nijverheidsweg 5
P.O. Box 13
Tel. +31-521-591550
Fax +31-521-592046

7991 CZ DWINGELOO
7990 AA DWINGELOO
The Netherlands
E-mail: info@klay.nl

SPECIFICATIONS

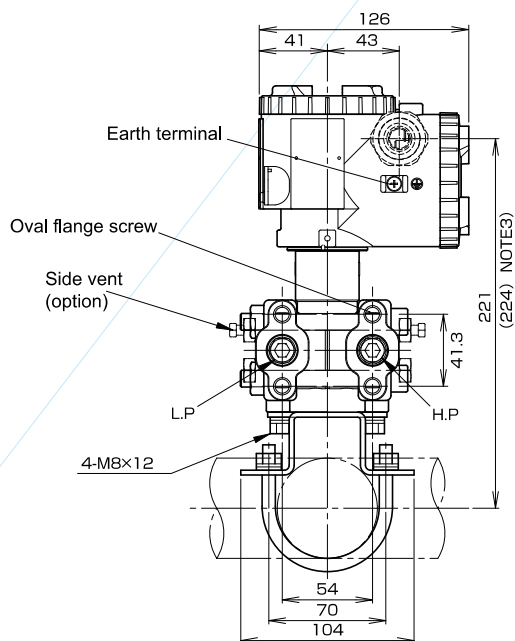
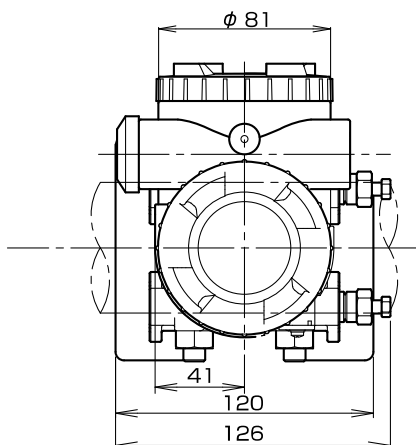
Accuracy : 0,065%
 Output : 4 - 20 mA + HART® Protocol
 Power supply : 10,5 - 45 Vdc
 Electrical connection : PG 13,5 / 1/2" NPT or M20 x 1.5
 Weight: : 3.4 kg (+ 0.8 kg for indicator)
 Process connection : 1/4 - 18 NPT
 Wetted parts : AISI 316 L
 Sensor O-rings : Viton (standard) or PTFE
 Housing : Low copper die cast aluminium with epoxy/pe double coating

Protection: : IP67 and Nema 4X
 Fill Fluid : Silicone oil (standard)
 Process temperature : -40°C to +100°C
 Ambient temperature : -40°C to +85°C
 Damping : 0 - 38 sec. adjustable
 Zero elevation/suppression : -100% to +100% of URL
 Certificate : ATEX II 1G (Ex ia IIC T4)
 ATEX II 2GD (Exd IIC T5/T6)

Specifications can change without notice.

OUTLINE DIAGRAM (Unit: mm)

TOPVIEW:



Zero/span adjustment

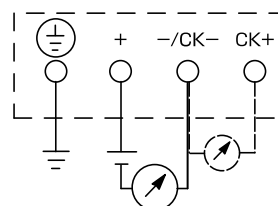
Model FKC: Zero and span are adjustable via the HHT. Zero is also locally adjustable.

Loop-check output:

Model FKC: Transmitter can be configured to provide constant signal between 3.8mA and 21.6mA by HHT.

CONNECTION DIAGRAM

CONNECTION DIAGRAM



Chemical seals:

All kind of chemical seals are available with many different process connections, providing further chemical and thermal isolation. Please consult us for detailed information.